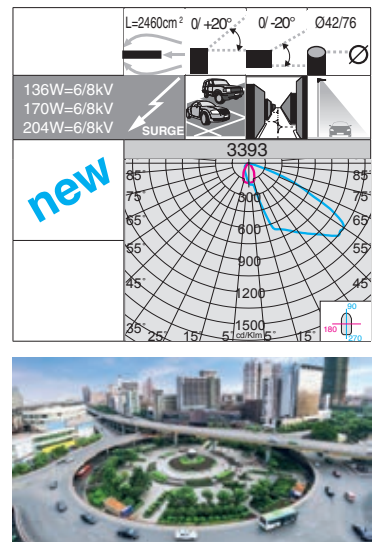
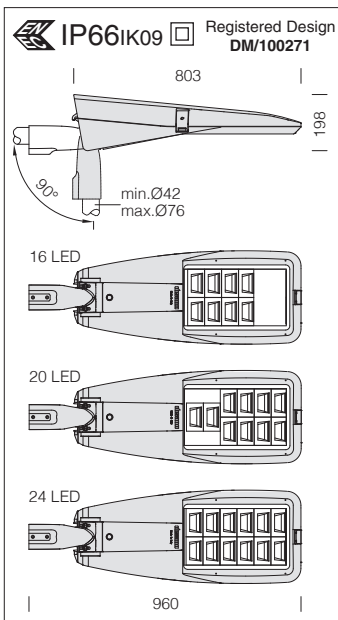


3392 Sella 2 - asymmetric 45°

wattage (700mA)	colour	weight	CLD CELL		W tot	LUMEN OUTPUT (tq= 25 °C)	
			code			K - ø1m 700mA - CRI	
LED	grey	11.00	330864-00		136	4000K	14610lm - CRI 70
	graphite		330860-00				
LED	grey	11.00	330864-39		136	3000K	13587lm - CRI 70
	graphite		330860-39				
LED	grey	11.00	330865-00		170	4000K	18262lm - CRI 70
	graphite		330861-00				
LED	grey	11.00	330865-39		170	3000K	16984lm - CRI 70
	graphite		330861-39				
LED	grey	11.00	330866-00		204	4000K	21915lm - CRI 70
	graphite		330862-00				
LED	grey	11.00	330866-39		204	3000K	20381lm - CRI 70
	graphite		330862-39				

On request: possibility to control each individual light point (see table on p. 343).



3393 Sella 2 - asymmetric 60°

wattage (700mA)	colour	weight	CLD CELL		W tot	LUMEN OUTPUT (tq= 25 °C)	
			code			K - ø1m 700mA - CRI	
LED	grey	11.00	330884-00		136	4000K	12260lm - CRI 70
	graphite		330880-00				
LED	grey	11.00	330884-39		136	3000K	11402lm - CRI 70
	graphite		330880-39				
LED	grey	11.00	330885-00		170	4000K	15325lm - CRI 70
	graphite		330881-00				
LED	grey	11.00	330885-39		170	3000K	14252lm - CRI 70
	graphite		330881-39				
LED	grey	11.00	330886-00		204	4000K	18390lm - CRI 70
	graphite		330882-00				
LED	grey	11.00	330886-39		204	3000K	17103lm - CRI 70
	graphite		330882-39				

On request: possibility to control each individual light point (see table on p. 343).

Optics: in aluminium coated with very high purity (99.99%) silver using physical vapour deposition (PVD).

LED: Power factor ≥ 0.92 .
Luminous flux maintenance 80%:
>100.000h (L80B10).

Optics: in aluminium coated with very high purity (99.99%) silver using physical vapour deposition (PVD).

LED: Power factor ≥ 0.92 .
Luminous flux maintenance 80%:
>100.000h (L80B10).

